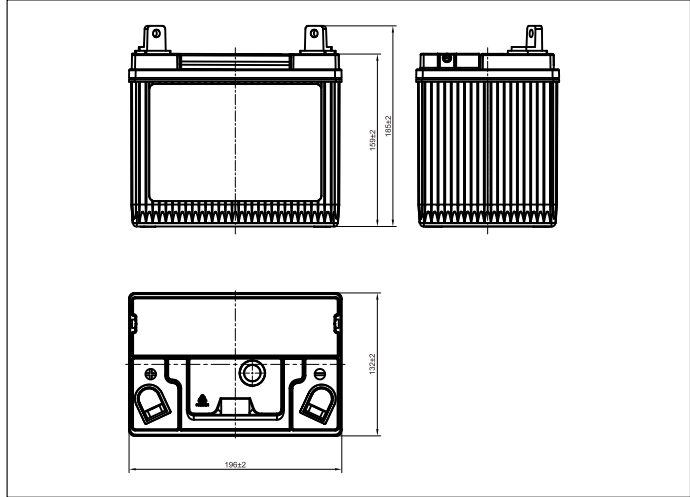




**LEOCH**  
**BCI U1-250 (12V20Ah)**



**Dimensions (mm)**



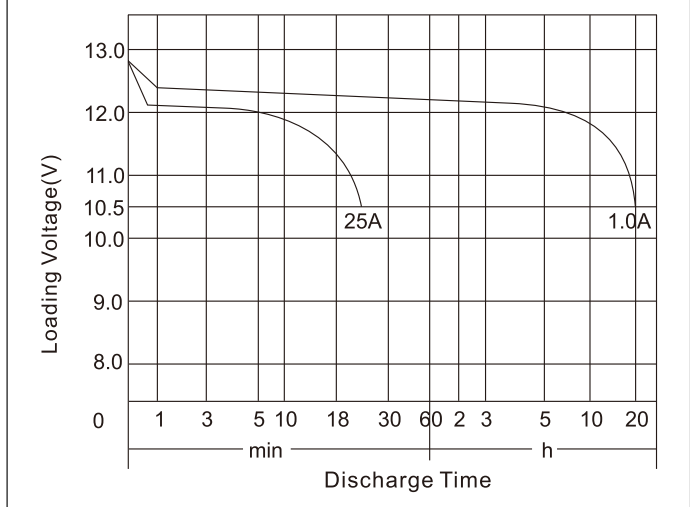
**Physical Specification (mm)**

Nominal Voltage		12V
Nominal Capacity(20HR)		20Ah
Dimension	Length	196±2mm(7.72inches)
	Width	132±2mm(5.20inches)
	Container Height	159±2mm(6.26inches)
	Total Height(with Terminal)	185±2mm(7.28inches)
Weight		Approx 7.4Kg(16.32lbs)
Acid		1.280±0.015g/cm <sup>3</sup> (25°C)
Standard Terminal		4
Cell layout		1
Hold-Down		B0
Cell plate qty		/
Case		Black-PP Material
Cover		Black-PP Material
Handle		Black-PP Material
QTY/PLT/layer		/

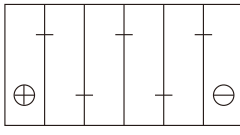
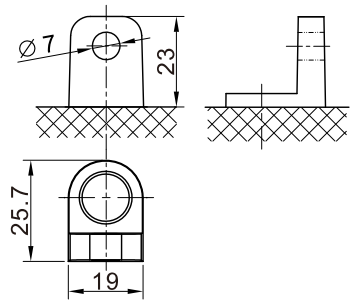
**Electrical Specification**

Rated Capacity	20 hour rate(1.0A)	20Ah
Reserve Capacity		24min
Cold Cranking Performance Amps@0°F(-18°C)		250A

**Discharge Characteristics(25°C,70°F)**



**Standard Terminal (mm)      Cell Layout**

Terminal Type	4	 <p>Figure(1)</p>
		

**Discharge Characteristics(-18°C,0°F)**

