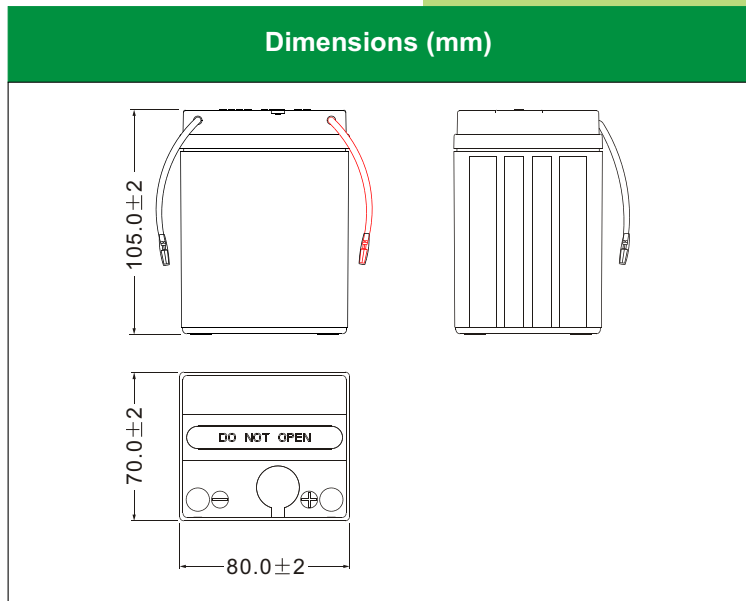
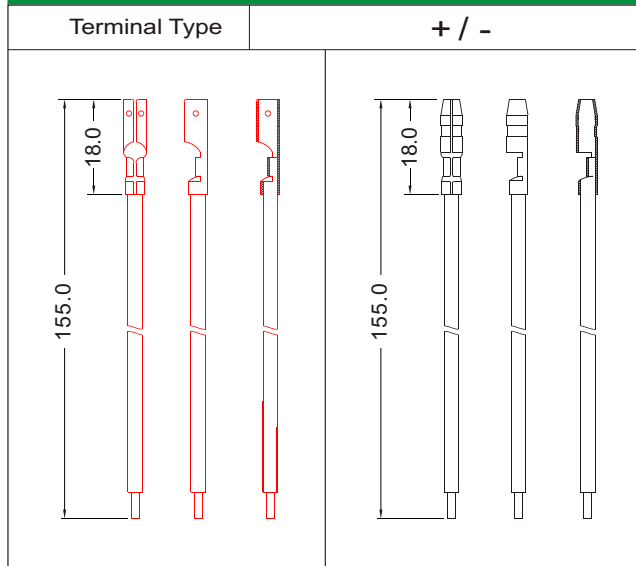




# LT2.5L-BS (12V2.5Ah)



### Standard Terminal (mm)

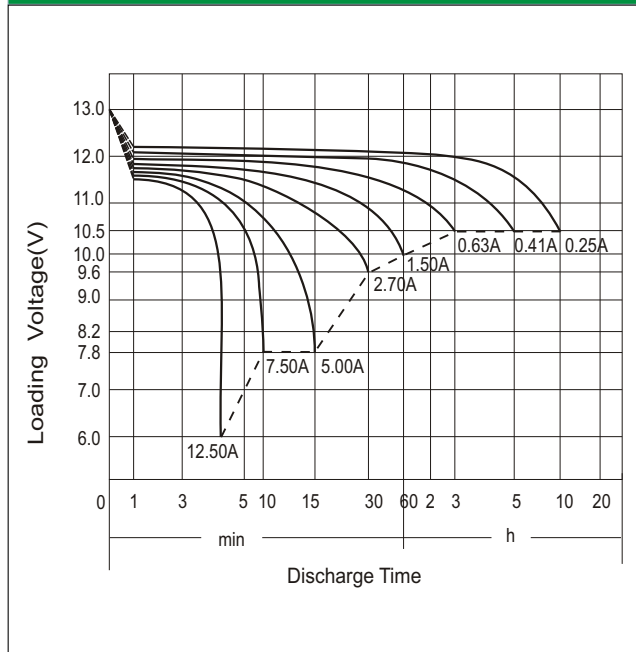


### Physical Specification

Nominal Voltage	12V	
Nominal Capacity (10HR)	2.5AH	
Dimension	Length	80 ± 2mm (3.15 inches)
	Width	70 ± 2mm (2.76 inches)
	Container Height	105 ± 2mm (4.13 inches)
	Total Height (with Terminal)	105 ± 2mm (4.13 inches)
Weight	Battery(with acid): Approx 1.13kg (2.49lbs)	
	Electrolyte: Approx 0.21kg (0.46lbs)	

- \* Sealed AGM battery
- \* Fresh Pack, Maintenance Free
- \* Powerful 25 cold cranking amps
- \* Rest after filling acid
- \* Maximum tilt angle for installation: 25°

### Discharge Characteristics (25°C, 77°F)



### Electrical Specification

Rated Capacity	10 hour rate (0.25 A)	2.50AH
	5 hour rate (0.41 A)	2.05AH
	2 hour rate (0.88 A)	1.75AH
	1 hour rate (1.50 A)	1.50AH
	0.5 hour rate (2.70 A)	1.35AH
Capacity affected by Temperature	40 °C (104 °F)	106%
	25 °C (77 °F)	100%
	0 °C (32 °F)	86%
	-15 °C (5 °F)	65%
Self Discharge	Approximately 3% per month (25°C (77°F))	
Charging Methods	Full Charge	Constant-Voltage Charge: Initial charging current: less than 0.75A Voltage: 14.40 V ~ 15.00 V at 25 °C (77 °F) Charging time: 15 ~18h Constant-Current Charge: Charging current: 0.1C <sub>10</sub> =0.25A, when charging voltage up to 14.40V, continue to charge 4h
	Floating Charge	No limit on Initial charging current Voltage: 13.50 V ~ 13.80 V at 25 °C (77 °F)