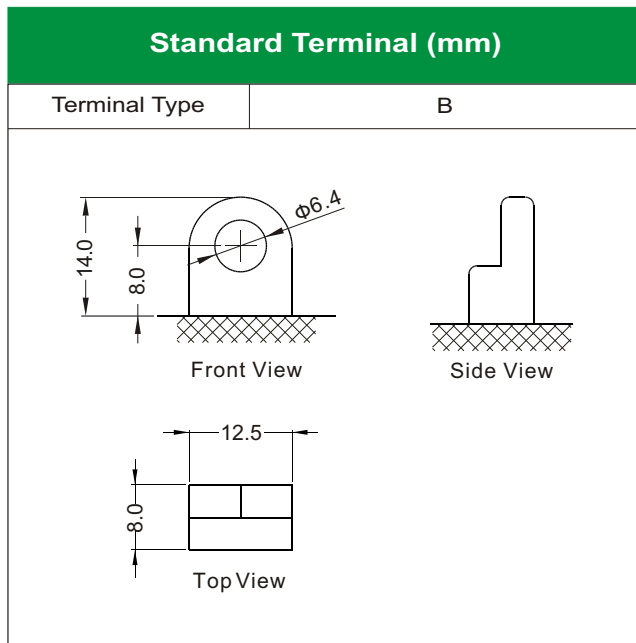
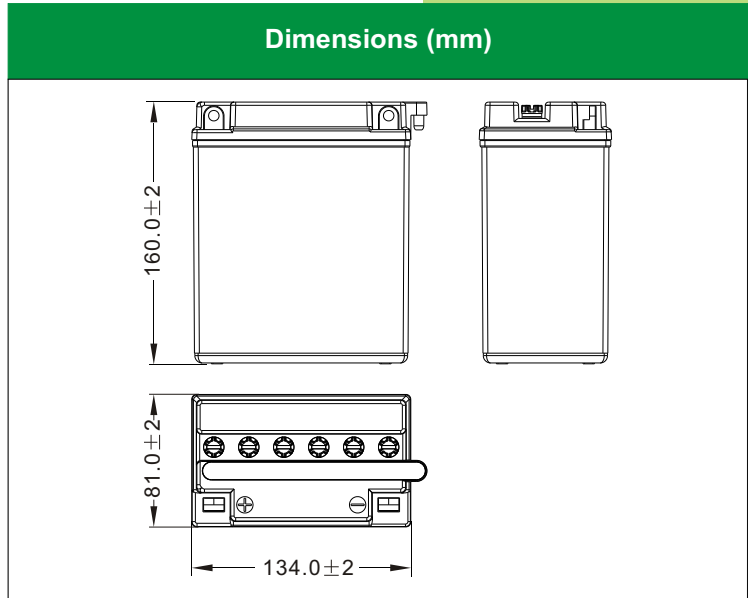


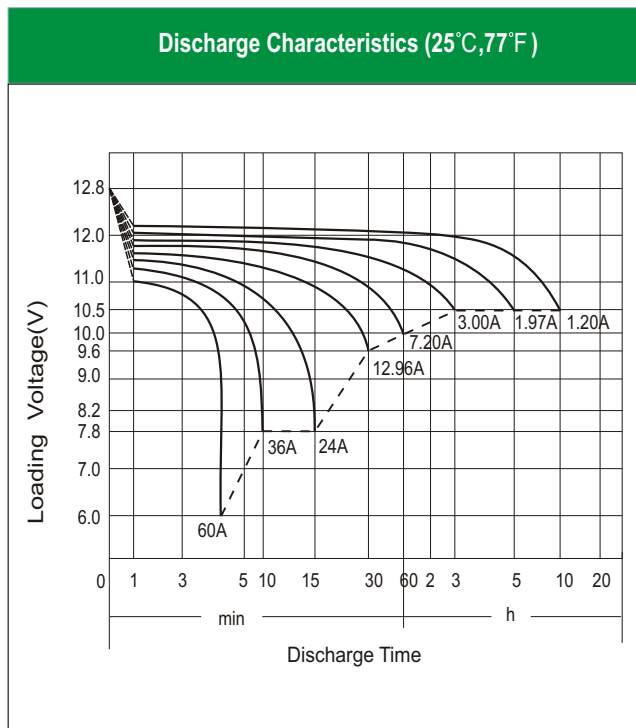


LB12A-B(J) [12V12Ah]



Physical Specification

Nominal Voltage		12V
Nominal Capacity (10HR)		12AH
Dimension	Length	134 ± 2mm (5.28 inches)
	Width	81 ± 2mm (3.19 inches)
	Container Height	160 ± 2mm (6.30 inches)
	Total Height (with Terminal)	160 ± 2mm (6.30 inches)
Weight	Battery(with acid): Approx 3.80kg (8.38lbs) Electrolyte: Approx 0.92kg (2.03lbs)	
<ul style="list-style-type: none"> * High performance and dry charged high quality and flooded battery * Low maintenance * Powerful 135 cold cranking amps * Shipped without battery electrolyte pre-charged and ready to install * Replaces none battery 		



Electrical Specification

Rated Capacity	10 hour rate (1.20A)		12.0AH
	5 hour rate (1.97 A)		9.84AH
	2 hour rate (4.20 A)		8.40AH
	1 hour rate (7.20 A)		7.20AH
	0.5 hour rate (12.96 A)		6.48AH
Capacity affected by Temperature	40 C (104 F)	106%	
	25 C (77 F)	100%	
	0 C (32 F)	86%	
	-15 C (5 F)	65%	
Self Discharge	Approximately 12% per month (25C (77F))		
Charging Methods	Full Charge	Constant-Voltage Charge: Initial charging current: less than 3.6A Voltage: 14.40 V ~ 15.00 V at 25 °C (77 °F) Charging time: 16 ~24h Constant-Current Charge: Charging current: 1.2A, when charging voltage up to 15.60V, continue to charge 2h.	
	Floating Charge	No limit on Initial charging current Voltage: 13.50 V ~ 13.80 V at 25 °C (77 °F)	