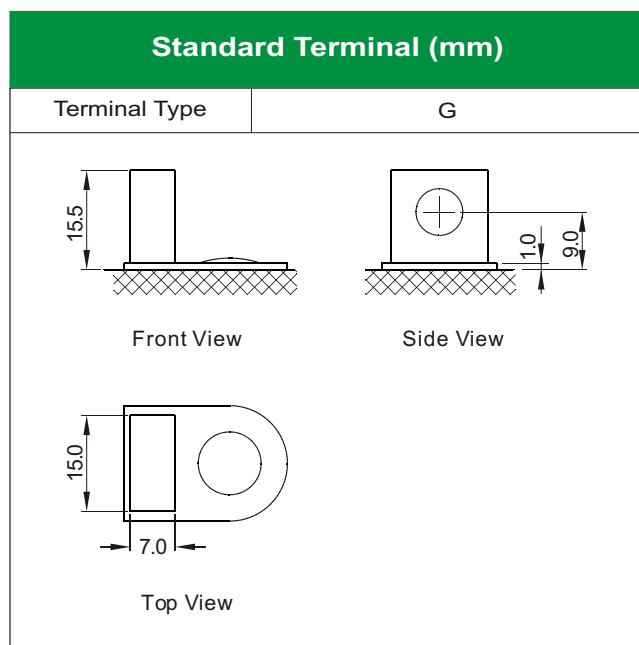
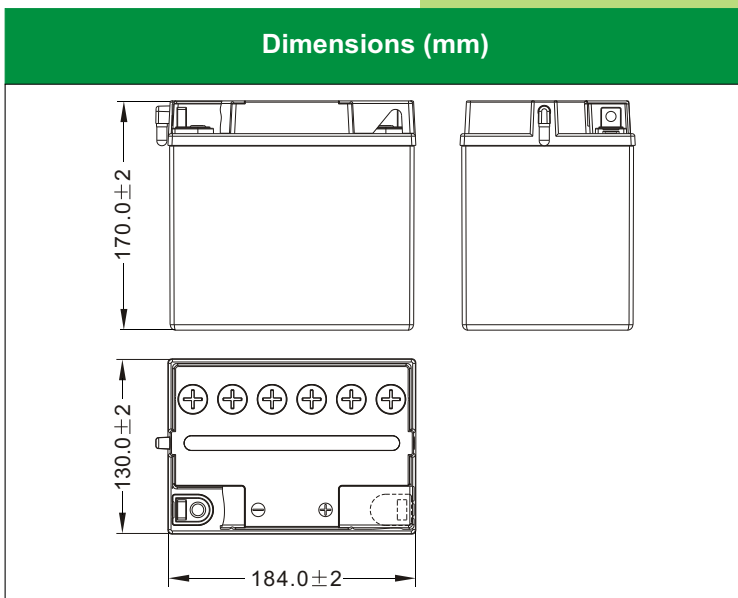
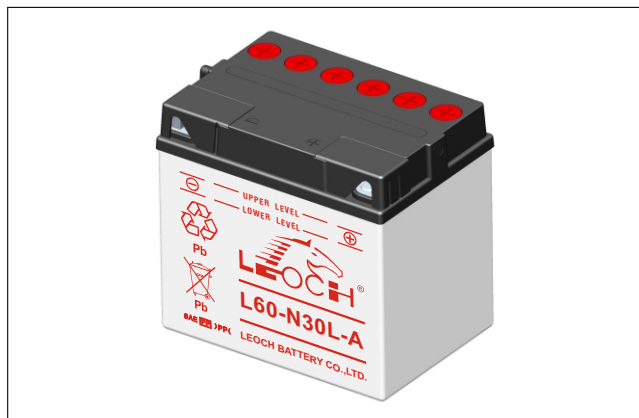


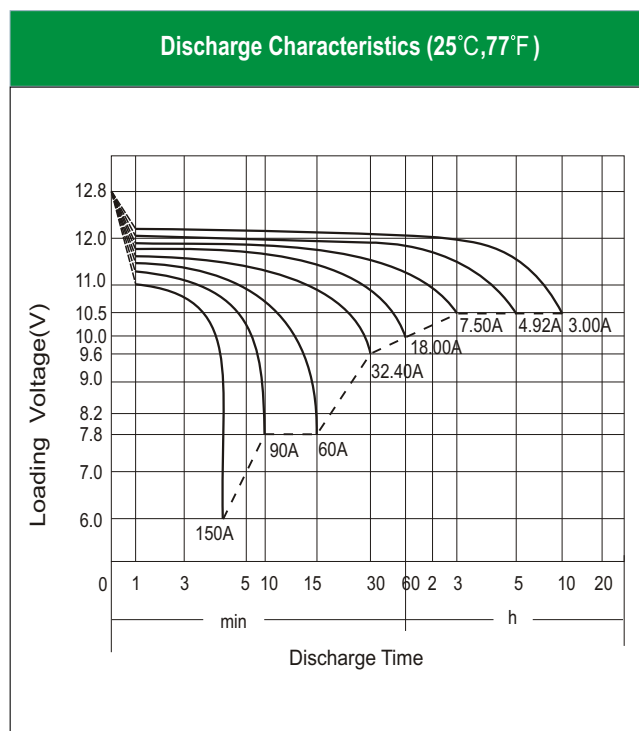


L60-N30L-A(J) [12V30Ah]



Physical Specification

Nominal Voltage	12V	
Nominal Capacity (10HR)	30AH	
Dimension	Length	184 ± 2mm (7.24 inches)
	Width	130 ± 2mm (5.12 inches)
	Container Height	170 ± 2mm (6.69 inches)
	Total Height (with Terminal)	170 ± 2mm (6.69 inches)
Weight	Battery(with acid): Approx 7.92kg (17.46lbs)	
	Electrolyte: Approx 2.36kg (5.20lbs)	
<ul style="list-style-type: none"> * High performance and dry charged high quality and flooded battery * Low maintenance * Powerful 280 cold cranking amps * Shipped without battery electrolyte pre-charged and ready to install * Replaces none battery 		



Electrical Specification

Rated Capacity	10 hour rate (3.00A)	30.00AH
	5 hour rate (4.92 A)	24.60AH
	2 hour rate (10.50A)	21.00AH
	1 hour rate (18.00 A)	18.00AH
	0.5 hour rate (32.40A)	16.20AH
Capacity affected by Temperature	40 C (104 F)	106%
	25 C (77 F)	100%
	0 C (32 F)	86%
	-15 C (5 F)	65%
Self Discharge	Approximately 12% per month (25C (77F))	
Charging Methods	Full Charge	Constant-Voltage Charge: Initial charging current: less than 9.0A Voltage: 14.40 V ~ 15.00 V at 25 °C (77 °F) Charging time: 16 ~24h Constant-Current Charge: Charging current: 3.0A, when charging voltage up to 15.60V, continue to charge 2h.
	Floating Charge	No limit on Initial charging current Voltage: 13.50 V ~ 13.80 V at 25 °C (77 °F)