



DEEP CYCLE AGM TECHNOLOGY

LDC1224(24Ah/10HR)

FEATURES & BENEFITS

- True deep cycle AGM technology-GREEN SOLUTION
- Over 99.99% virgin lead for grid plate and active material
- Heavy duty grid/paste design for deep cycle application
- Maintenance free, non-spillable, valve-regulated
- Double separator configuration:long cycle life & High energy density and super anti-vibration design
- Low self-discharge for longer shelf life



ELECTRICAL SPECIFICATIONS

Voltage(V)	Capacity (AH)					Reserve Capacity (Min)		
	100HR	20HR	10HR	5HR	2HR	@25A	@56A	@75A
12	/	25	24	22.6	20	/	/	/

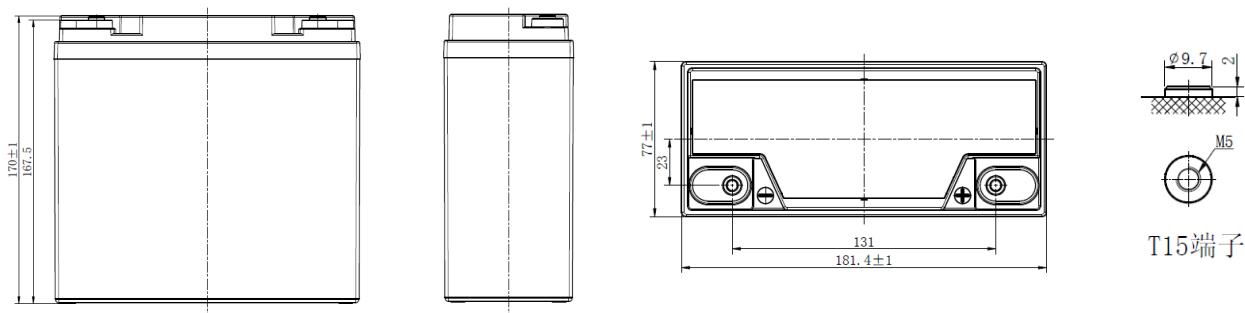
PHYSICAL SPECIFICATIONS

Model	Dimensions (mm/inches)				Weight (kg/lbs)	Terminal Type (Standard)	Case Material
	Length	Width	Height	Total Height			
LDC1224	181.5 (7.15)	77 (3.03)	170 (6.69)	170 (6.69)	6.5 (14.33)	T15	ABS

Operating Temperature Range		
Discharge	Charge	Storage
-15°C ~ 50°C (5°F ~ 122°F)	0°C ~ 40°C (32°F ~ 104°F)	-15°C ~ 40°C (5°F ~ 104°F)

LDC1224

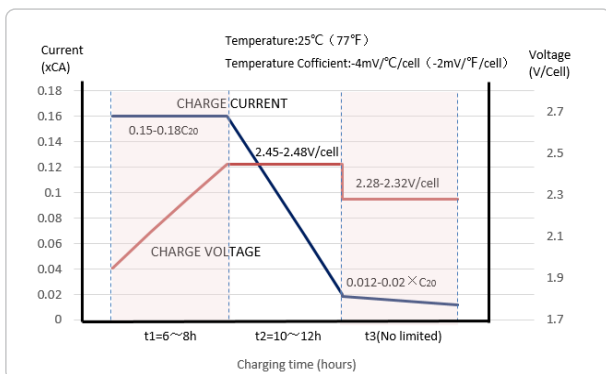
DIMENSIONS



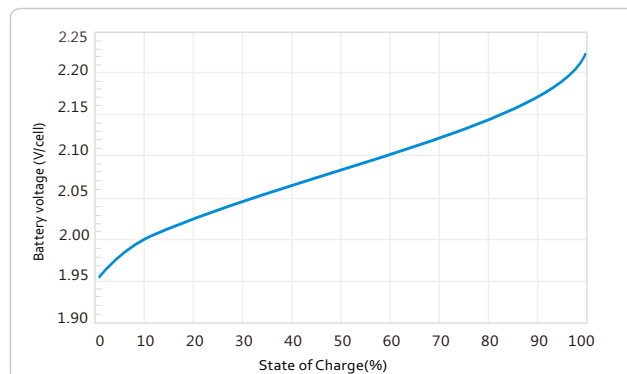
Note: Terminal Torque Values in-lb(Nm) :17. 69-26. 53(2-3)

PERFORMANCE CHARACTERISTICS

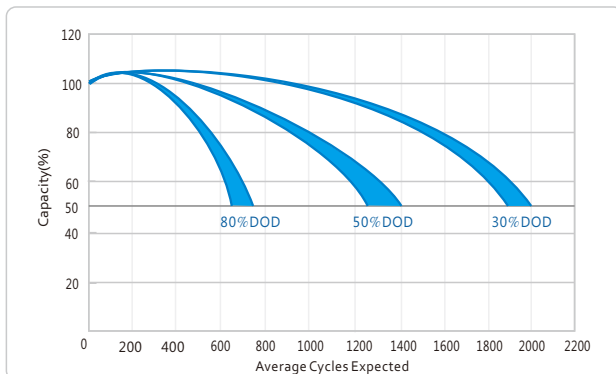
LEOCH LDC AGM Charging Profile



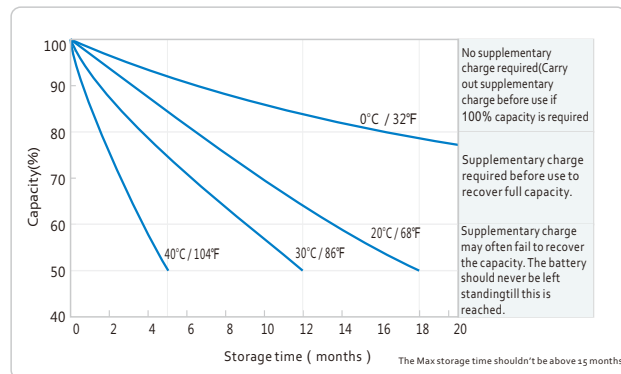
Relationship of OCV and State Of Charge (25°C, 77°F)



Cycle life in relation to Depth Of Discharge



Self-discharge Characteristic



- LEOCH INTERNATIONAL SALES OFFICE:
Add: 5th Floor, Xinbaohui Bldg.
Nanhai Blvd, Nanshan, Shenzhen, China. 518054
Tel: +86-755-86036060(100 lines) Fax: +86-755-26067269
E-mail: export@leoch.com
web: www.leoch.com